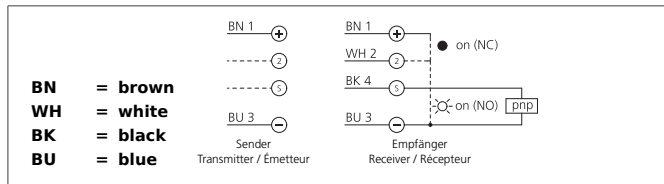


LES 21 K 3000 P3-KT4

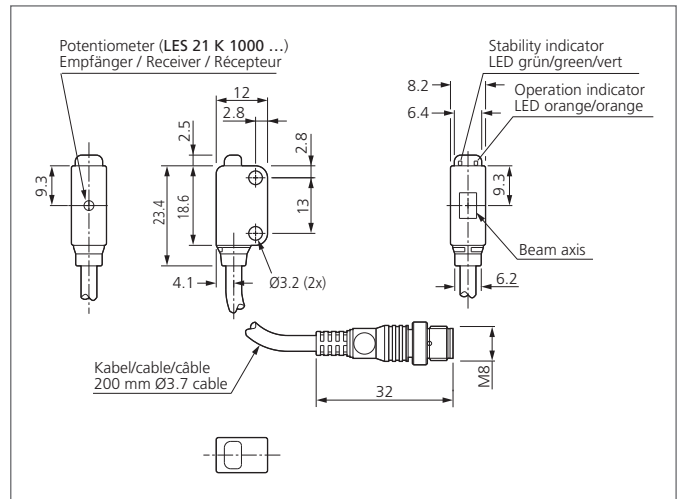
Laser Through Beam Sensor, Transmitter and Receiver

- High operating distances with a small design
- High resolution
- Visible red light with small light spot
- Sensitivity adjustable
- LED indicator for output state
- Set consisting of transmitter and receiver



Safety instructions

Inproper use may result in hazardous radiation exposure. Pay attention to accident prevention rules and laser class. The instruments are not to be used for safety applications, in particular applications in which safety of persons depends on proper operation of the instruments. These instruments shall exclusively be used by qualified personnel.



TECHNICAL INFORMATION (typ.)	+20°C, 24V DC
Operating principle	Through beam sensor
Evaluation	digital
Size	22 x 13 x 8.5 mm (Dimensions)
Design	cuboid design
Emitted light	Red light laser, 655 nm, clocked
Laser class	1 (IEC 60825-1)
Service voltage	10,8 ... 26,4 V DC
Internal power consumption	10 mA
Operating distance	0 ... 3.000 mm
Resolution	8 x 5,5 mm (at operating distance 1.000 mm)
Smallest detectable object	Ø 3 mm
Sensitivity adjustment	potentiometer
Switching output	pnp, 50 mA, NO/NC
Switching frequency	1.000 Hz
Response-/release time	0,5 ms
Ambient temperature	-10 ... +55 °C
Vibration/Shock resistance	10 ... 500 Hz / 1,5 mm / 10 G
Ambient light immunity	3 kLx
Insulation voltage endurance	1.000 V
Protection class	IP 67
Protection degree	III, operation on protective low voltage
Casing material	plastics
Material	Acrylic (Window)

LES 21 K 3000 P3-K-T4
Laser Through Beam Sensor,
Transmitter and Receiver

TECHNICAL INFORMATION (typ.)	+20°C, 24V DC
Connection	Cable, Connector, M8, 200 mm, 4-poled
Connecting cable	TK ... /4